

EXISTING PIPE WORK VOID BEHIND GARAGES.
VOID RE-USED.

EXISTING PIPE WORK TRENCH WITHIN COURT YARDS/GARDENS.
DUCT RE-USED WITH SOFT DIG EXCAVATION REQUIRED TO RUN NEW BURIED SERVICES.

HARD DIG EXCAVATION REQUIRED FOR NEW BURIED SERVICES BELOW GROUND.

SOFT DIG EXCAVATION IN GARDENS REQUIRED FOR TRENCHING OF NEW BURIED SERVICES

SENSITIVE HARD DIG EXCAVATION REQUIRED THROUGH REAR GARDEN GATED ACCESS WALK WAYS

SOFT DIG EXCAVATION IN GARDENS REQUIRED FOR TRENCHING OF NEW BURIED SERVICES

SENSITIVE HARD DIG EXCAVATION REQUIRED ALONG ALLENSBURY PLACE ROAD - NEW YORK WAY LANDSCAPING

NEW HEAT PUMP SYSTEM IN THE OLD MAIDEN LANE BOILER HOUSE

SENSITIVE HARD DIG EXCAVATION REQUIRED ALONG UPPER GROUND FLOOR BRICKED WALK WAY

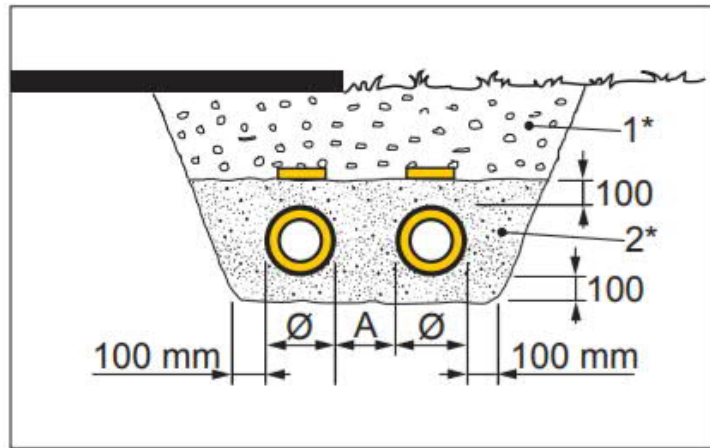
NEW HEATING NETWORK PIPES EXTENDED FROM THE YORK WAY ENERGY CENTRE

Key

- SOFT DIG EXISTING DUCT █
- SOFT DIG NEW TRENCHING █
- HARD DIG NEW TRENCHING █
- SENSITIVE HARD DIG NEW TRENCHING █



project	Maiden Lane Heating Network			sketch title	Proposed New Below Ground Trenching For The New Heating Network Services - Resident Engagement				
job number	6749	project leader	DL	issue date	Oct 2020				
status code	*	revision	*	status description	Information				
project code	6749	originator	- MXF -	volume	- XX -	level	- XX -	number	40



Outer casing Ø mm	Distance A between casings mm
90 - 225	150
250 - 560	250
630 - 1400	300

BELOW GROUND TRENCH PIPE WORK SIZES (PRE INSULATED SINGLE PIPE)

140mm pipe work x 2 = 100 + 140 + 150 + 140 + 100 = 630mm x 340mm

200mm pipe work x 2 = 100 + 200 + 150 + 200 + 100 = 750mm x 400mm

250mm pipe work x 2 = 100 + 250 + 150 + 250 + 100 = 850mm x 450mm

315mm pipe work x 2 = 100 + 315 + 150 + 315 + 100 = 980mm x 515mm

EXPOSED

140mm pipe work x 2 = 140 + 150 + 140 = 430mm x 340mm

250mm pipe work x 2 = 250 + 150 + 250 = 650mm x 450mm

PRE INSULATED SINGLE PIPE SIZES

25mm = 125mm PRE INSULATED PIPE WORK

32mm = 140mm PRE INSULATED PIPE WORK

40mm = 140mm PRE INSULATED PIPE WORK

80mm = 200mm PRE INSULATED PIPE WORK

90mm = 250mm PRE INSULATED PIPE WORK

150mm = 315mm PRE INSULATED PIPE WORK

RISER PIPE WORK SIZES (PRE INSULATED SINGLE PEX PIPE)

110mm pipe work x 2 = 110 + 100 + 110 = 320mm x 200mm

PRE INSULATED SINGLE PEX PIPE SIZES

25mm = 110mm PRE INSULATED PIPE WORK

32mm = 90mm PRE INSULATED PIPE WORK

40mm = 110mm PRE INSULATED PIPE WORK

PexFlex single pipe, PN 6
Component No. 2100

PEX service pipe		Series 1 Outer casing		Series 2 Outer casing		Series 3 Outer casing	
ø out. mm	Wall thick. mm	ø out. mm	Wall thick. mm	ø out. mm	Wall thick. mm	ø out. mm	Wall thick. mm
20	2.0	77	2.2	90	2.5	110	2.5
25	2.5	77	2.2	90	2.5	110	2.5
32	2.9	77	2.2	90	2.5		
40	3.7	90	2.5	110	2.5		
50	4.6	110	2.5	125	2.5		
63	5.8	125	2.5	140	3.0		
75	6.9	140	3.0	160	3.0		
90	8.2	160	3.0				
110	10.0	160*	3.0				

* Series 0. Note! Preinsulated components have casing pipes ø 180 mm.

PIPE WORK STRATEGY

Plant room = heavy grade steel

Below ground = pre insulated single steel pipe work

Maisonette run offs = pre insulated single PEX pipe work

Risers = pre insulated single PEX pipe work (earthing & bonding, and corrosion against damp risers)

Riser run offs = Convert from PEX pipe work to medium grade steel insulated and bonded within dwelling